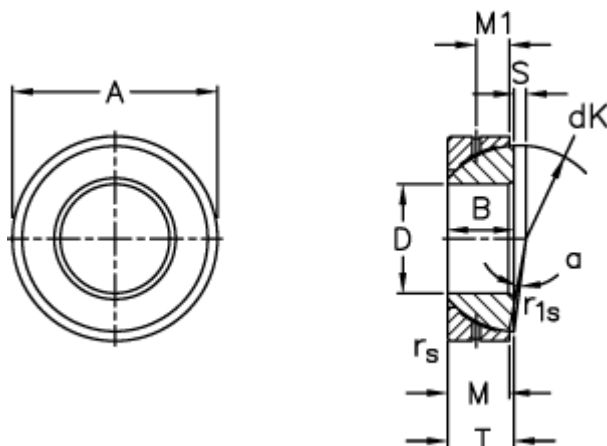


Article number: 03509130

Description: Fluro Rod end GE 130SX

Measures



A	= 200 0 -0,030	S	= 18
B	= 45	Static load C0 (kN)	= 3200
D	= 130 0 -0,025	T	= 45 +0,35 -0,70
dK	= 188	Tilt angle	= 1
Dynamic load C (kN)	= 640	Weight	= 5920
M	= 43		
M1	= 19		
rs, r1s min	= 2.5		